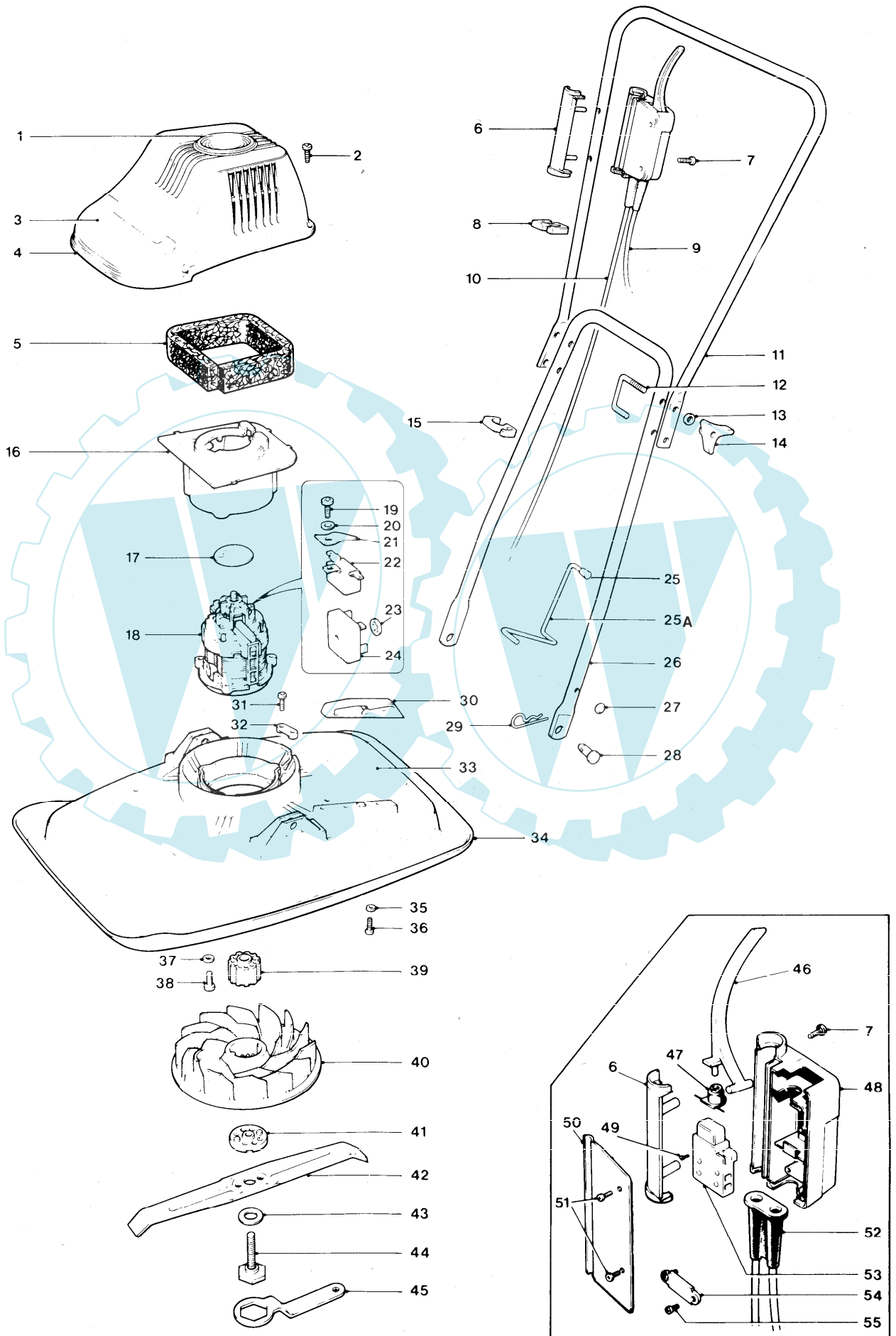


Flymo

E38-2 9635341
9635342





E38-2 9635341 9635342

KEY No.	PART No.	DESCRIPTION	QUANTITY	COMMENTS/ APPLICATION	KEY No.	PART No.	DESCRIPTION	QUANTITY	COMMENTS/ APPLICATION
1	5126140-01/0	LENS	1		33	5146467-00/5	LABEL WARNING	1	GB.O/S.E.P.EI.
2	5146824-00/7	SCREW	4	ALT USE 5147665-00/4		5136507-00/0	LABEL WARNING	1	A.D.CH.
3	5126598-00/1	LABEL FLYMO	1	GB.		5136361-00/2	LABEL WARNING	1	SF.
	5126646-01/6	LABEL FLYMO E38-2	1			5146464-00/2	LABEL WARNING	1	F.B.NL.CH.
4	5126599-00/9	COWL ASSY C/W LENS	1	GB.		5146465-00/9	LABEL WARNING	1	SF.B.NL.
	5126375-08/7	COWL ASSY C/W LENS	1			5146486-00/5	LABEL WARNING	1	I.
	5116791-00/4	NOISE ABSORPTION JACKET	1	F.B.NL. NOT ILLUSTRATED		5146516-00/9	LABEL WARNING	1	O/S.E.P.EI.
5	5146580-00/5	FILTER	1			5136364-00/6	LABEL WARNING	1	N.
6	5126290-00/5	SWITCHBOX RETAINER 16mm	1			5146466-00/7	LABEL WARNING	1	DK.
7	5146672-00/0	SCREW GKN POLYMATE	2			5146504-00/5	LABEL WARNING	1	S.
8	5140482-00/0	CABLE CLIP SMALL	1			5147227-00/2	LABEL WARNING (ELCB)	1	S.
9	5136621-00/9	LEAD TERMINAL C/W PLUG	1	GB.	34	5106174-00/5	HOOD 38 CM	1	ALT USE 5106174-01/3
	5136662-00/3	SOCKET FEMALE 10 AMP	1	NOT ILLUSTRATED	35	5140943-00/1	WASHER	3	
	5147000-01/1	LEAD TERMINAL .5M	1	F.B.NL.DK.I.SF.A.N.	36	5146824-00/7	SCREW	3	ALT USE 5147665-00/4
	5146475-08/1	LEAD TERMINAL C/W PLUG	1	SF.	37	5140266-00/7	WASHER	3	
	5147001-03/5	LEAD TERMINAL 15.5M	1	O/S.E.P.EI.	38	5141585-00/9	SCREW	3	
	5147213-00/2	LEAD TERMINAL C/W ELCB	1	S.	39	5126740-00/9	IMPELLER INSERT	1	
	5147000-03/7	LEAD TERMINAL .5M	1	CH.	40	5116745-00/0	IMPELLER	1	
10	5147001-01/9	LEAD INTERNAL	1	ALT USE 5147001-24/1	41	5136668-01/8	BLADE SPACER PEGGED	3	
	5146989-03/2	LEAD INTERNAL	1	SF.	42	5116748-00/4	BLADE 38 CM	1	
	5147001-12/6	LEAD INTERNAL	1	CH.	43	5140516-00/5	ANTI FRICTION WASHER (PTFE)	1	
11	5126371-00/3	HANDLE UPPER 16mm	1	ALT USE 5126522-00/1	44	5136242-01/2	BLADE BOLT	1	
	5126509-01/6	HANDLE UPPER	1	D.	45	5130127-00/3	SPANNER	1	
12	5147542-00/4	J BOLT	2		46	5136182-01/0	LEVER SWITCH	1	
13	5140266-00/7	WASHER	2		47	5130406-01/9	SEAL CONE	1	
14	5140690-00/8	KNOB WING	2		48	5116494-01/3	SWITCHBOX BODY 16mm	1	9635431-25 ONLY
15	5140863-01/9	CABLE CLIP LARGE	1			5116494-03/9	SWITCHBOX BODY 16mm	1	
16	5116524-03/3	FILTER SUPPORT	1		49	5141605-00/5	SCREW	4	
17	5146469-00/1	WARNING DISC	1	ALT USE 5146469-01/9	50	5116495-00/2	SWITCHBOX COVER	1	
18	5126354-01/7	MOTOR 240 VOLT C/W RECTIFIER	1	GB.	51	5146672-00/0	SCREW GKN POLYMATE	2	
	5126354-02/5	MOTOR 220 VOLT C/W RECTIFIER	1		52	5141584-01/0	SLEEVE PROTECTION	1	
19	7241293-61/7	SCREW THREAD FORMING	1		53	5141586-15/5	SWITCH ON/OFF THERMAL CUT OUT	1	KOPP 2401-13 9635341-25 ONLY
20	7352136-51/4	LOCKWASHER	1			5136674-01/6	SWITCH ON/OFF LOCK OFF	1	GB. 9635341-51
21	113721-00/5	CLIP	1			5126503-01/9	SWITCH ON/OFF LOCK OFF	1	
22	113030-01/9	SUPPRESSOR 0.15 MF	1		54	5146616-00/7	CLAMP CABLE	1	
23	140785-01/5	CAPTIVE WASHER	1		55	5146672-00/0	SCREW GKN POLYMATE	2	
24	322814-00/5	RECTIFIER	1						
25	5146476-00/6	KNOB	1						
25A	5126100-06/3	HOOK SLOTTED SYSTEM	1						
26	5116469-01/5	HANDLE LOWER	1						
27	5146682-00/9	STARLOCK WASHER	1						
28	5140092-01/5	PIN LOCKING	2	ALT USE 5140092-00/7					
29	5140423-00/4	PIN RETAINING	2						
30	5126210-00/3	GUIDE SLOTTED	1						
31	5146941-00/9	SCREW HI-LO	2						
32	5140705-00/4	CABLE CLAMP	1						

For Product No 9635342-09 Key Nos 46—55 are not applicable.
Use complete Schulte Switchbox 5126500-03/1

PRODUCT VARIANT

9635341-25 GB.	9635342-06 N.DK.	9635342-09 D.	9635342-21 S.
9635341-51 GB.	9635342-07 SF.	9635342-11 I.	9635342-22 CH.
9635342-03 A.	9635342-08 F.B.NL.	9635342-16 O/S.E.P.EI.	

When no application details are shown the part applies to all countries.